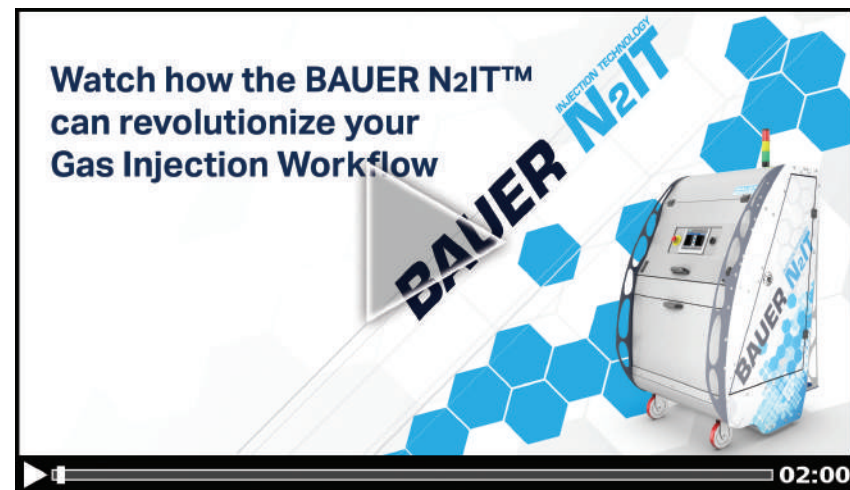


# N2IT™

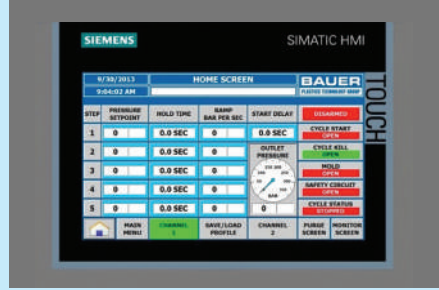
## Comprehensive Gas Assist Molding System

See our revolutionary new  
**True Track Ramping™** process...



...at [www.bauerptg.com](http://www.bauerptg.com)





### GAS INJECTION TECHNOLOGY

- › Reduce Cycle Times
- › Reduce Resin Costs
- › Improve Part Quality
- › Simplify Mold Design

### CONTROL SYSTEM

State-of-the-art control system with **True Track Ramping™** and intuitive interface allows for simple operation.

- › Real-time accurate diagnostics
- › Remote interface via smartphone option
- › On-Screen Manual & Maintenance Instructions

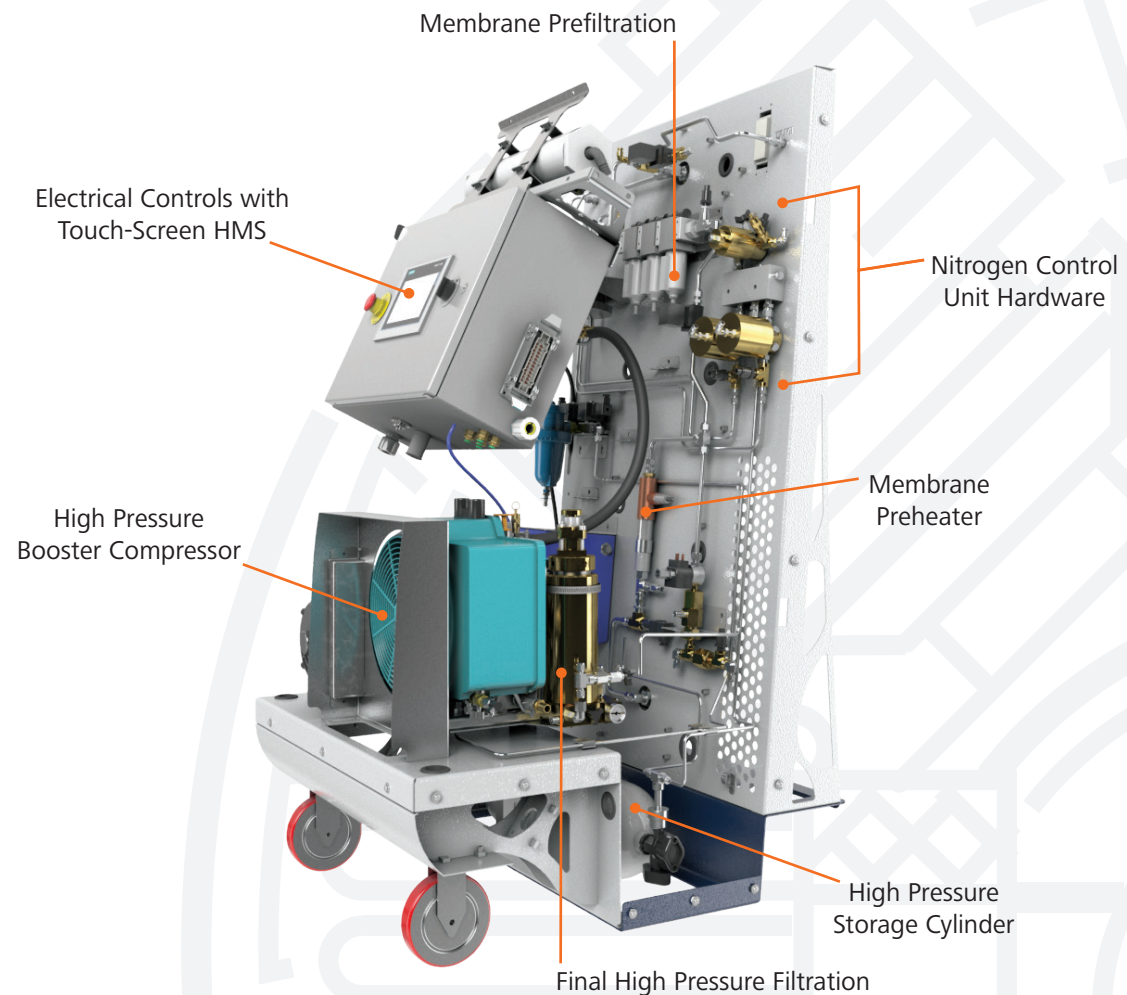
### COST OF OWNERSHIP

Like all BAUER compressors, the system is designed for long periods between maintenance intervals and has a very low cost of ownership.

- › Lifetime BAUER support.

## BENEFITS

- › The N2IT™ incorporates an integrated Nitrogen Generator, Compressor, Storage and Process Control Unit in one portable package
- › Only compressed air and electrical power are required for the N2IT™ to apply GIT, Gas Injection Technology, to any injection molding machine; eliminating the need to purchase Nitrogen
- › N2IT™ is loaded with user-friendly features and maintains accurate and repeatable processing with its precision pressure control
- › The N2IT™ can easily be interfaced with any injection molding machine in your facility



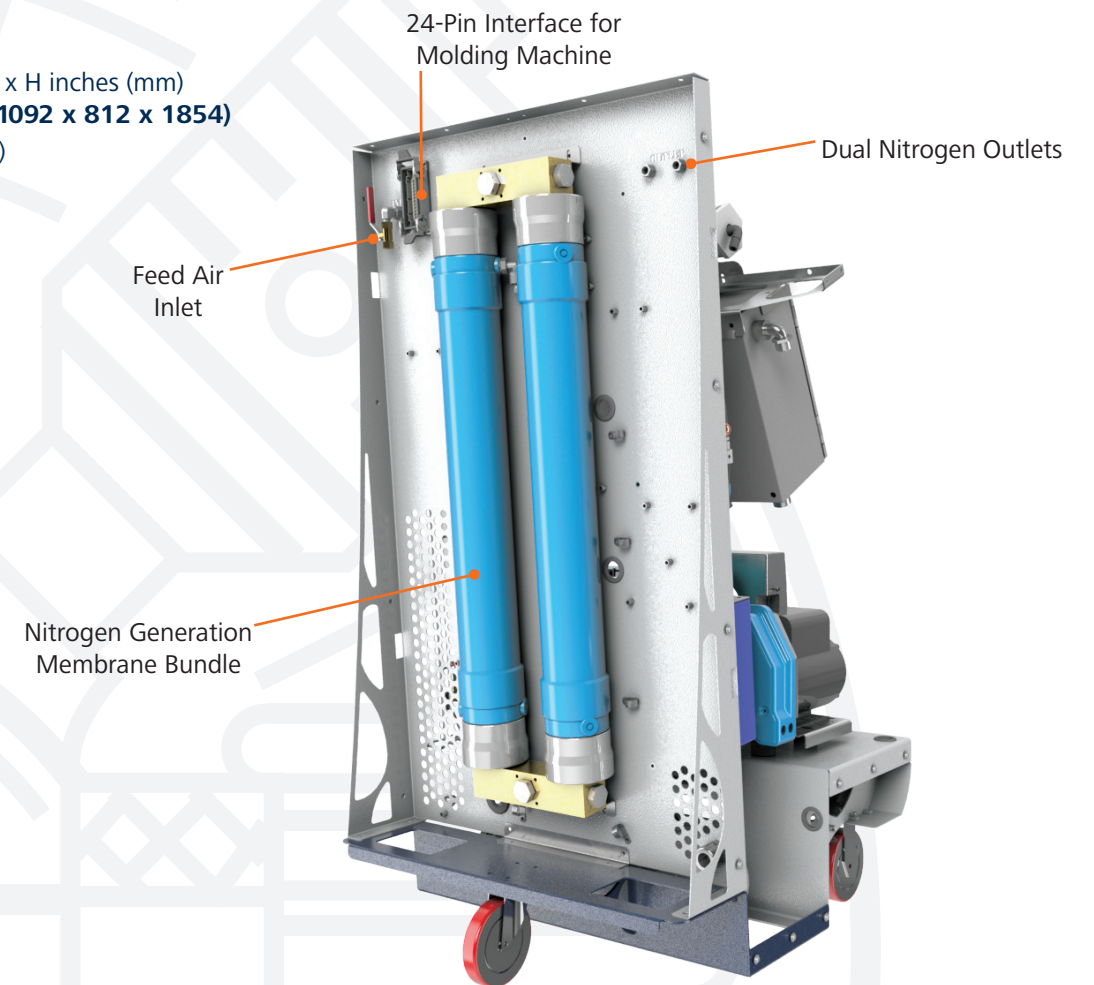
### N2IT™

**DIMENSIONS** L x W x H inches (mm)

› 43" x 32" x 73" (1092 x 812 x 1854)

**WEIGHT** pounds (kg)

› 620 (295)



### TOTAL PERFORMANCE WARRANTY

- › Superior performance and quality
- › Innovative design
- › Unmatched global support and 24/7 customer service

**BAUER COMPRESSORS INC. reputation speaks for itself with over 70 years of market leadership.**

ISO 9001:2008; ISO 17025

### BAUER N2IT™ SYSTEM PERFORMANCE TABLE

Model	Nitrogen Flow at 99.5% purity		Feed air req. at 100 psi		Nitrogen Flow at 98.0% purity		Feed air req. at 100 psi		Motor	
	scfm <sup>1)</sup>	l/min	scfm <sup>1)</sup>	l/min	scfm <sup>1)</sup>	l/min	scfm <sup>1)</sup>	l/min	hp	kW
<b>5000 psig (345 bar)</b>										
N2IT™	2	57	11	311	4	113	12	386	5	37

1) Capacity is referenced to standard conditions. Tolerance +/- 5%. Dimensions and weight are approximate and are dependent upon model and drive.